



**Electric
Self-Propelled
Scissor Lift**

GS-2632

Its narrow width allows access in hard-to-reach spots. Fits through a standard doorway.



Genie Industries

GS-2632

GS 2632

- 90-degree steering provides zero turning radius and **excellent manoeuvrability**.
- Narrow aisle access 81.3 cm (32 in)
- On-board troubleshooting diagnostics **notify the operators of fault conditions**.
- Variable speed motor extends battery and motor life by using only the energy needed to do the required work.
- Weather resistant, impact resistant, injection-molded **Joystick Carrier/Controller box** operates from the platform or the ground.
- The solid steel deck platform has a **slip-resistant surface**.

- Heavy duty square steel guardrails fold down quickly without tools for **increased accessibility**.
- **Low noise level** allows operation in quiet work environments.
- Swing-out battery box and power module allow **easy access to componentry**.
- **Lubrication-free, service-free pivot points**.

Standard Features

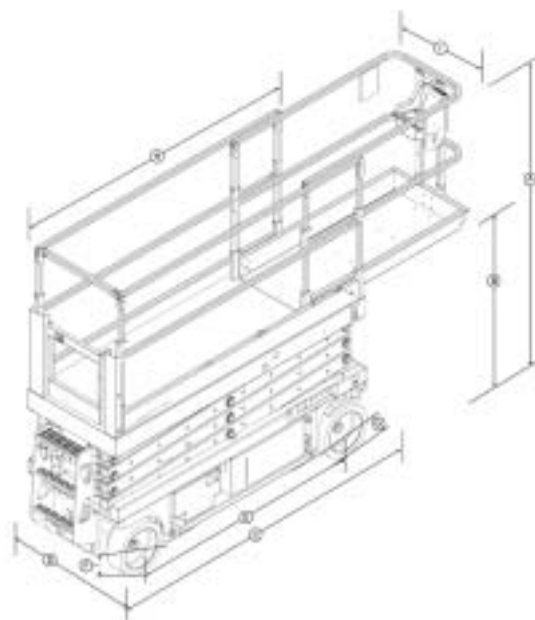
- GS-2632 has 9.92 m (32 ft) working height
- 1 m (39 in) roll-out platform extension
- Compact 81.3 cm (32 in) width
- 227 kg (500 lb) lift capacity
- Proportional controls for lift and drive functions
- Automatic 25 amp battery charger
- Manual platform lowering valve
- Emergency stop switches at both platform and ground controls
- Drive speed interlock limits speed while elevated
- Multiple disc brakes provide smooth deceleration
- Manual brake release
- Pothole guards
- Non-marking tyres
- AC wiring to platform
- Tilt sensor with an audible alarm
- Beeper horn
- Hour meter

Options and Accessories

- Motion alarm
- Power inverter
- Platform swing gate
- Air line to platform
- Dual flashing beacons
- Automotive horn
- Maintenance-free batteries

Standards Compliance

- CE EN280



Specifications

Model	GS-2632	US	Metric
Working height*	32 ft		9.92 m
Platform height	26 ft		7.92 m
(A) Height stowed	90 in		2.29 m
Height stowed, rails folded	68 in		1.73 m
(B) Platform height - stowed	46.1 in		1.17 m
(C) Length - stowed	96 in		2.44 m
Length - platform extended	135 in		3.44 m
(D) Width	32 in		81.3 cm
(E) Wheelbase	73 in		1.85 m
(F) Ground clearance - at machine center	4 in		10.2 cm
(G) Ground clearance - pothole guards deployed	7/8 in		2.2 cm
(H) Platform length	89 in		2.26 m
(I) Platform width	31 in		79 cm
Platform length extended	128 in		3.25 m
Toeboard height	6 in		15 cm
Lift capacity CE	500 lb		227 kg
Extension deck lift capacity	250 lb		113 kg
Turning radius outside	92 in		2.34 m
Turning radius inside	zero		
Power source	24V (4 6V 245AH batteries)		
Drive speed - stowed	2.2 mph		3.5 km/h
Drive speed - raised	0.5 mph		0.8 km/h
Raise/lower speed	37/24 sec		
Controls	24V DC proportional		
Tyres (solid rubber, non-marking tyres)	15 x 5 in		38 x 12.7cm
Gradeability	25%		25%
Drive	dual front wheel		
Multiple disc brakes	dual rear wheel		
Weight	5,150 lb		2,336 kg

*The metric equivalent of working height adds 2 m to platform height. Imperial adds 6 ft to platform height
 †Weights are subject to change

Distributed By:

Genie Industries

GENIE UNITED STATES
 18340 NE 76th Street
 P.O. Box 97030
 Redmond, Washington 98073-9730
 Telephone +1 (425) 881-1800
 Fax +1 (425) 883-3475
<http://www.genielift.com>

GENIE UNITED KINGDOM
 The Maltings, Wharf Road
 Grantham
 Lincolnshire NG31 6BH
 England
 Telephone **+44 (0)1476 584333**
 Fax +44 (0)1476 584334
<http://www.genielift.com>

For further information, please contact your local distributor or the Genie sales office listed. Continuous improvement of our products is a Genie policy. Product specifications are subject to change without notice or obligation. The photographs and drawings in this brochure are for illustrative purposes only. Refer to the appropriate Genie GS-2632 Operator's Manual for instructions on the proper use of this equipment. Failure to follow the appropriate Operator's Manual when using a Genie GS-2632, or to otherwise act irresponsibly, may result in serious injury or death. Copyright © 2001 by Genie Industries. "Genie" is a Registered Trademark of Genie Industries in the USA and many other countries. "GS" is a Trademark of Genie Industries. Genie is the owner of U.S. Patent 6,050,358. 03/02, Part No. B82188UK